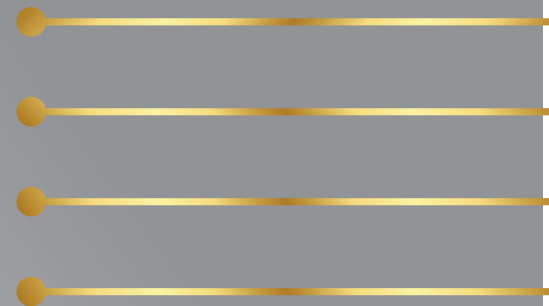




Makkah
For Air Outlets



DISC VALVE (DV)

Product Description

Makkah Disc Valve is manufactured from high quality steel and polyester powder coated.

Disc Valve is manufactured from high quality steel and polyester powder coated.

Center core is adjustable by screw and nut for air control.

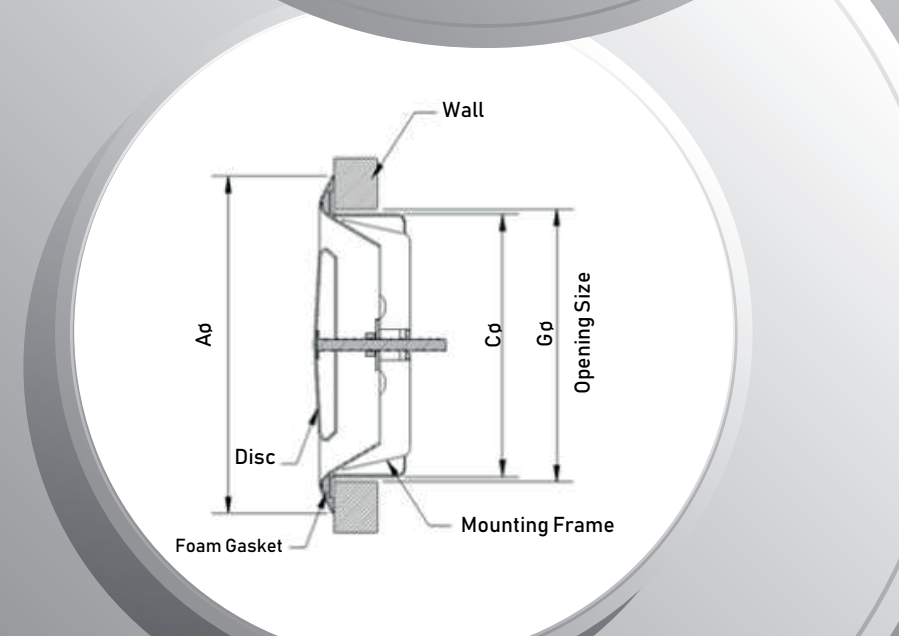
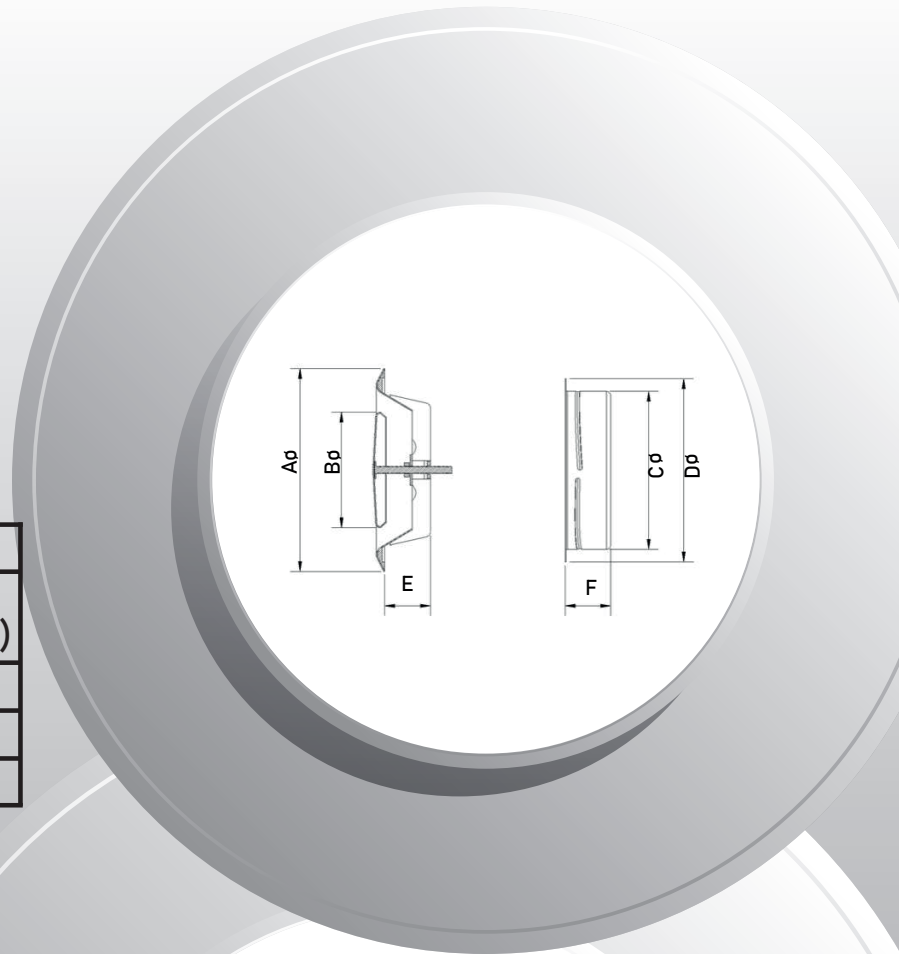
The outer frame is fitted with a foam rubber gasket.

The DV is widely used for exhaust in wash rooms.



Dimensions

INCHES							
Nominal Size	A Ø	B Ø	C Ø	D Ø	E	F	G Ø (Opening Size)
4"	5 3/8	3	3 7/8	5 1/8	1 5/8	1 1/8	4 1/8
6"	8	4 3/4	5 7/8	7	2	1 1/8	6 1/8
8"	9 7/8	6 1/4	7 3/4	9 1/8	2 1/2	1 1/8	8 1/8



DISC VALVE (Performance Data)

DV

Size 4"

Setting	Air Flow (CFM)	15	20	25	30	35	40	45	50	60	70	80	90	100
-3/8"	SP	0.3	0.6	1										
	NC	<20	20	25										
-1/4"	SP	-	0.2	0.4	0.6	0.8	1.1							
	NC	-	<20	<20	23	25	26							
-1/8"	SP	-	-	0.2	0.3	0.5	0.6	0.8	1					
	NC	-	-	<20	<20	22	24	26	28					
0	SP	-	-	-	0.2	0.3	0.5	0.6	0.8	1	1.2			
	NC	-	-	-	<20	20	22	24	26	32	34			
1/8"	SP	-	-	-	-	0.2	0.3	0.4	0.5	0.6	0.8	1.2		
	NC	-	-	-	-	<20	<20	22	24	26	32	38		
1/4"	SP	-	-	-	-	-	0.2	0.3	0.3	0.5	0.6	0.8	1.1	
	NC	-	-	-	-	-	<20	<20	22	25	28	33	42	
3/8"	SP	-	-	-	-	-	-	0.2	0.3	0.3	0.5	0.6	0.8	1.1
	NC	-	-	-	-	-	-	<20	<20	23	25	29	38	45
1/2"	SP	-	-	-	-	-	-	-	0.2	0.3	0.3	0.4	0.6	0.8
	NC	-	-	-	-	-	-	-	<20	20	25	26	32	38

Size 8"

Setting	Air Flow (CFM)	40	50	60	70	80	100	120	140	160	180	200	220	240
-3/4"	SP	0.4	0.6	0.9										
	NC	22	31	35										
-5/8"	SP	-	0.2	0.3	0.4	0.6								
	NC	-	<20	20	23	26								
-3/8"	SP	-	-	0.2	0.2	0.3	0.5	0.7						
	NC	-	-	<20	<20	22	28	33						
-1/4"	SP	-	-	-	-	-	0.3	0.4	0.5	0.7	0.9			
	NC	-	-	-	-	-	22	26	30	34	38			
0	SP	-	-	-	-	-	0.2	0.3	0.3	0.5	0.6	0.7		
	NC	-	-	-	-	-	<20	23	26	31	36	38		
1/4"	SP	-	-	-	-	-	-	0.2	0.2	0.3	0.4	0.5	0.6	0.7
	NC	-	-	-	-	-	-	<20	23	26	30	32	36	38
3/8"	SP	-	-	-	-	-	-	-	-	0.3	0.3	0.4	0.5	0.6
	NC	-	-	-	-	-	-	-	-	23	26	28	32	35
5/8"	SP	-	-	-	-	-	-	-	-	-	0.2	0.3	0.3	0.4
	NC	-	-	-	-	-	-	-	-	-	<20	23	25	27
3/4"	SP	-	-	-	-	-	-	-	-	-	0.2	0.2	0.3	0.3
	NC	-	-	-	-	-	-	-	-	-	23	24	25	28
1	SP	-	-	-	-	-	-	-	-	-	-	0.2	0.2	0.3
	NC	-	-	-	-	-	-	-	-	-	-	<20	24	25

Size 6"

Setting	Air Flow (CFM)	30	35	40	50	60	70	80	90	100	120	140	160	180
-1/4"	SP	0.3	0.5	0.6	1.4									
	NC	<20	21	24	32									
-1/8"	SP	-	0.2	0.3	0.4	0.6	0.8	1.1						
	NC	-	<20	<20	21	25	31	34						
0	SP	-	-	-	0.2	0.3	0.4	0.6	0.8	1				
	NC	-	-	-	<20	20	23	26	34	40				
1/4"	SP	-	-	-	-	-	-	0.2	0.3	0.4	0.6	0.8	1.1	
	NC	-	-	-	-	-	-	<20	<20	22	31	35	42	
1/2"	SP	-	-	-	-	-	-	-	0.2	0.3	0.4	0.6	0.8	1
	NC	-	-	-	-	-	-	-	<20	<20	24	28	35	45

